



FEATURES:

- DIP14 package Power LED driver
- Constant current output
- Wide (4:1) input voltage range
- High efficiency up to 95%
- Operating Temperature range -40°C - +85°C
- Open and Short LED Protection
- PWM/Digital and Analog Voltage dimming
- Remote ON/OFF Control

Models

Single output

Model	Input Voltage (V)	Output Voltage (V)	Output Current (mA)	Efficiency (%)
AMLDL-3030Z	7-30	2-27	300	95
AMLDL-3035Z	7-30	2-27	350	95

Input Specifications

Parameters	Nominal	Typical	Maximum	Units
Voltage range	24	7-30		VDC
Filter	Capacitor			
Absolute Maximum Rating			40	VDC
Peak Input Voltage time			500	ms
DC/DC ON (Leave open if not used)		ON –Open or 0.3V<Vadj<1.25		
DC/DC OFF		OFF(shutdown) – Vadj<0.15		
Maximum Remote pin drive current	Vadj = 1.25V		1	mA
Quiescent Current in Shutdown mode	Vin = 30V, Vadj <0.15		0.25	mA
On/Off Control (Digital Control)		Max PWM Frequency 1KHz		
Minimum Switch ON/OFF time		200		ns
On/Off Control (Analog Dimming Control) (Leave open if not used)	Input voltage range	0.3-1.25		VDC
Drive with DC Voltage	0.3V < VADJ<1.25V to adjust output current from 25% to 100%			
Control Voltage Range limits		ON – 0.2 – 0.3V (Vadj rise)		
		OFF – 0.15-0.25V (Vadj fall)		
Maximum Analog pin drive current	Vadj = 1.25V		0.2	mA

Output Specifications

Parameters	Conditions	Typical	Maximum	Units
Current accuracy		±5		%
Output Voltage range	V input = 30V	2-27		VDC
Output current	Vin – Vout >1.5V to 3V		300	mA
Short Circuit protection	Regulated at the rated current for each model			
Output Open Protection	No load			
Max load capacitance			47	µF
Temperature coefficient	Ta = -40 to +85°C	±0.03		%/°C
Ripple & Noise	20MHz Bandwidth	200		mV p-p

General Specifications

Parameters	Conditions	Typical	Maximum	Units
Switching frequency	100% load	45 - 380		KHz
Operating temperature		-40 to +85		°C
Storage temperature		-40 to +125		°C
Maximum case temperature			100	°C
Thermal Impedance	Free air convection	+35		°C/W
Cooling	Free air convection			
Humidity			95	% RH
Case material	Non-Conductive Black Plastic (UL94-V0 rated)			
Weight		2.6		g

General Specifications (continued)

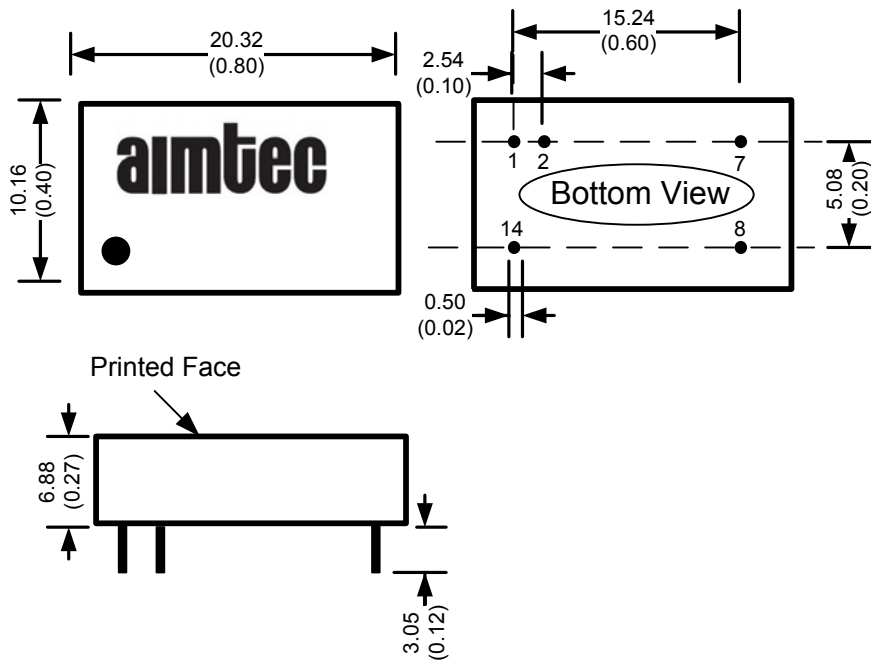
Parameters	Conditions	Typical	Maximum	Units
Dimensions (L x W x H)		0.80 x 0.40 x 0.27 inches	20.32 x 10.16 x 6.88 mm	
MTBF		> 500 000hrs (MIL-HDBK-217 F at +25°C)		
Maximum Soldering Temperature	1.5mm from case for 10sec.		260	°C

NOTE: All specifications are measured at an ambient temperature of 25°C, humidity<75%, nominal input voltage and at rated output load unless otherwise specified.

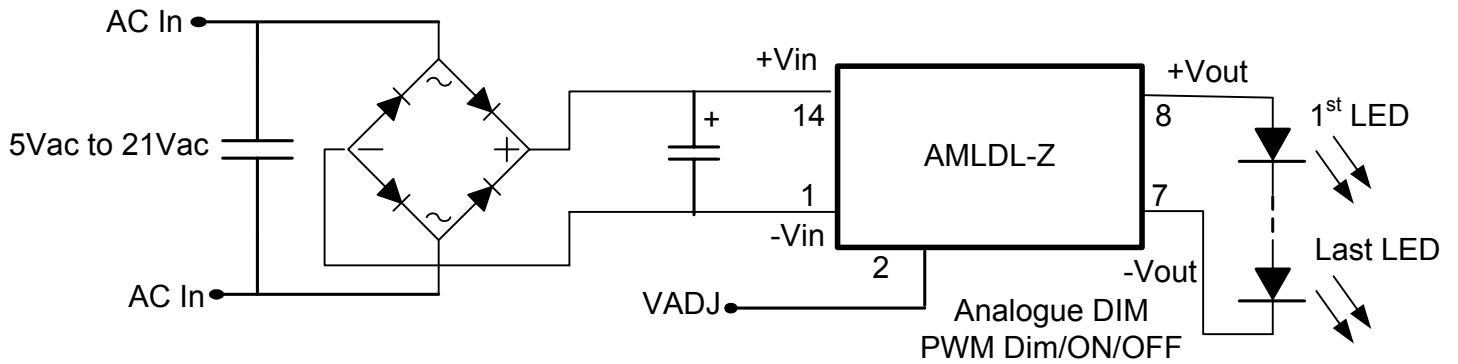
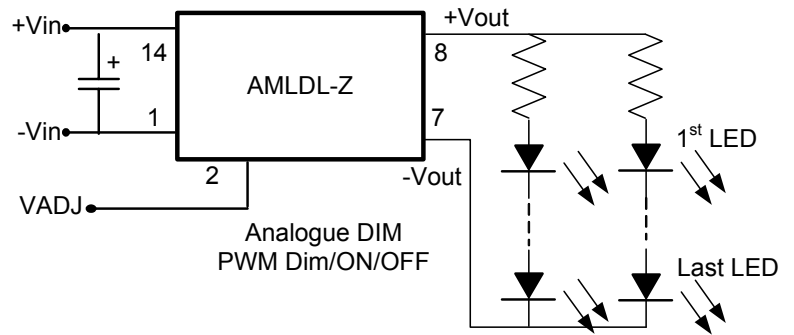
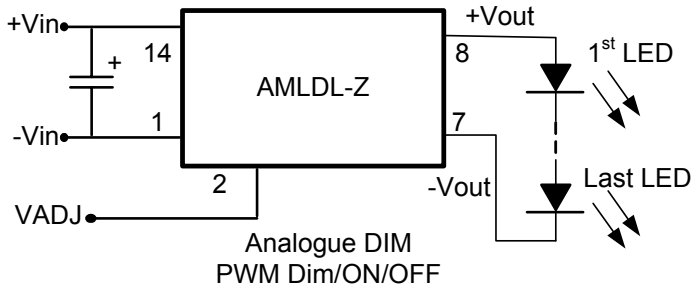
Pin Out Specifications

Pin	Single	
1	- V Input	- DC Supply
2	Vadj	PWM/ON/OFF or not used
7	- V Output	LED Cathode connection
8	+ V Output	LED Anode connection
14	+ V Input	+ DC Supply

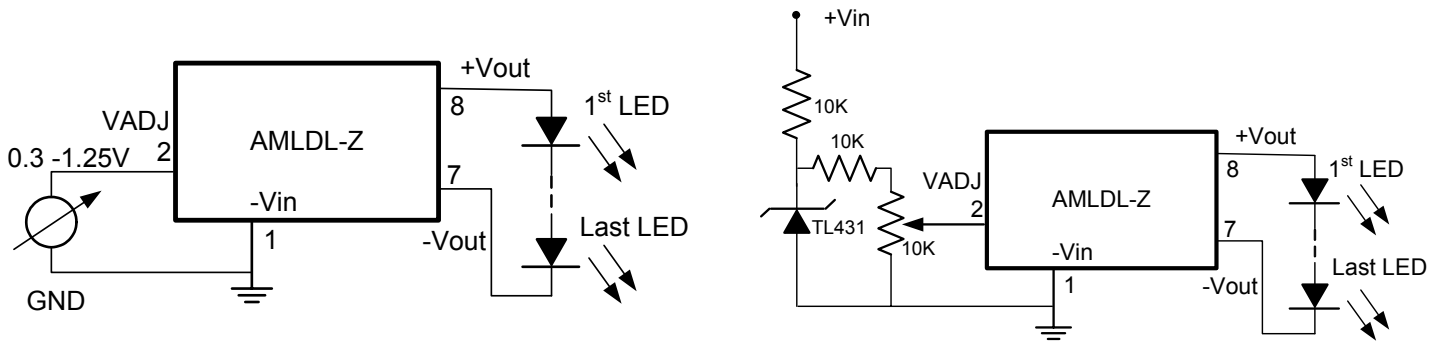
Dimensions



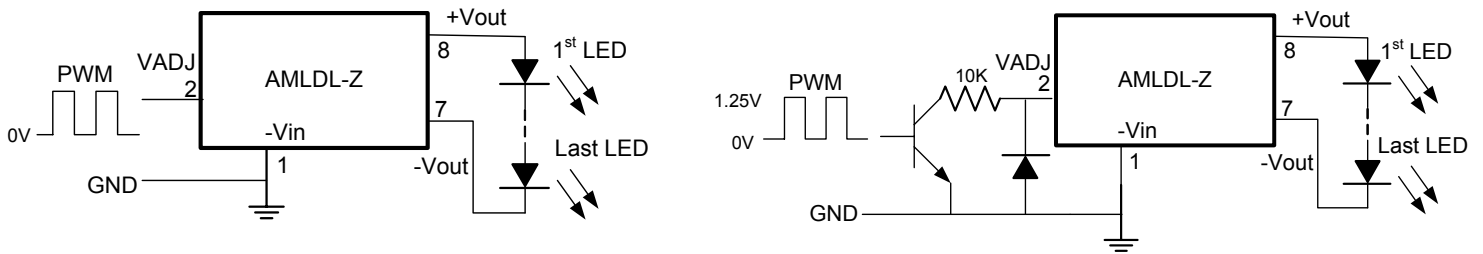
Application circuit examples:



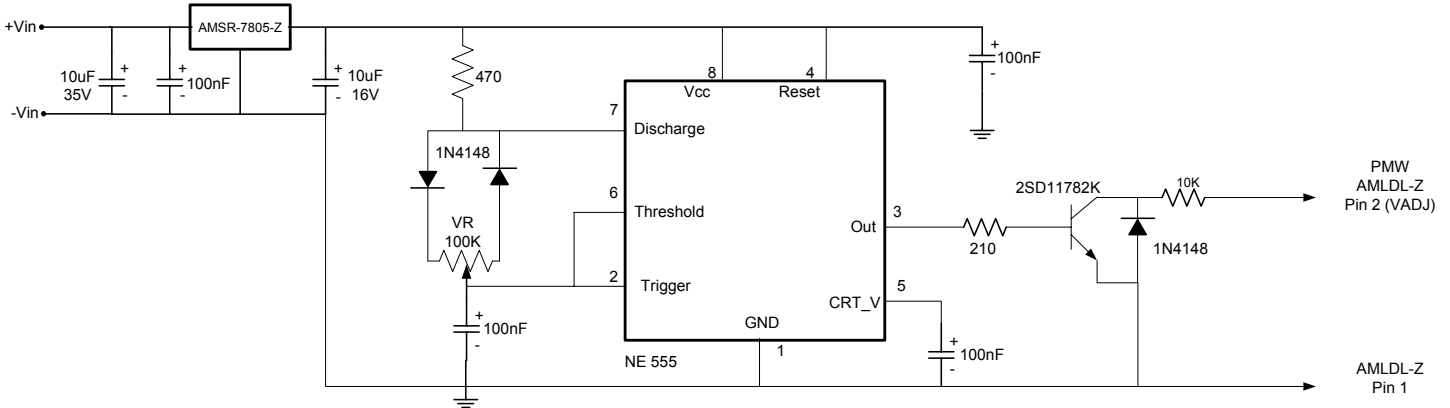
Output Current Adjustment by External DC Control Voltage:



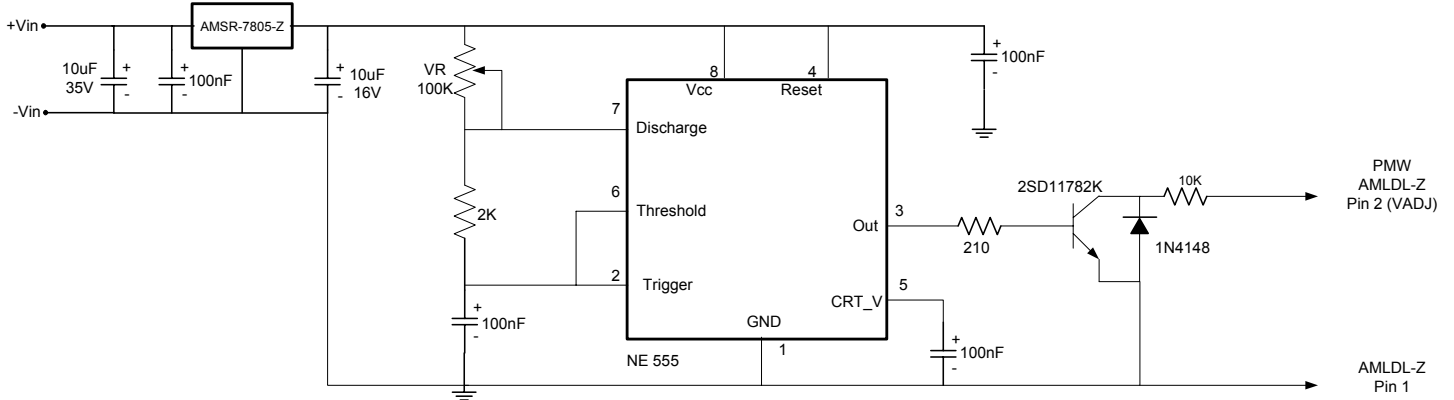
Output Current Adjustment by PWM Control:



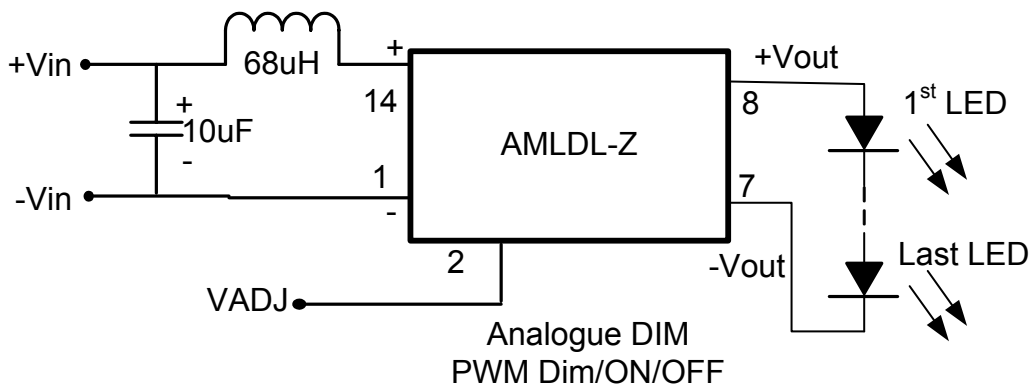
Output Current Adjustment by PWM Control (Dimming):



Output Current Adjustment by PWM Control (Flash):

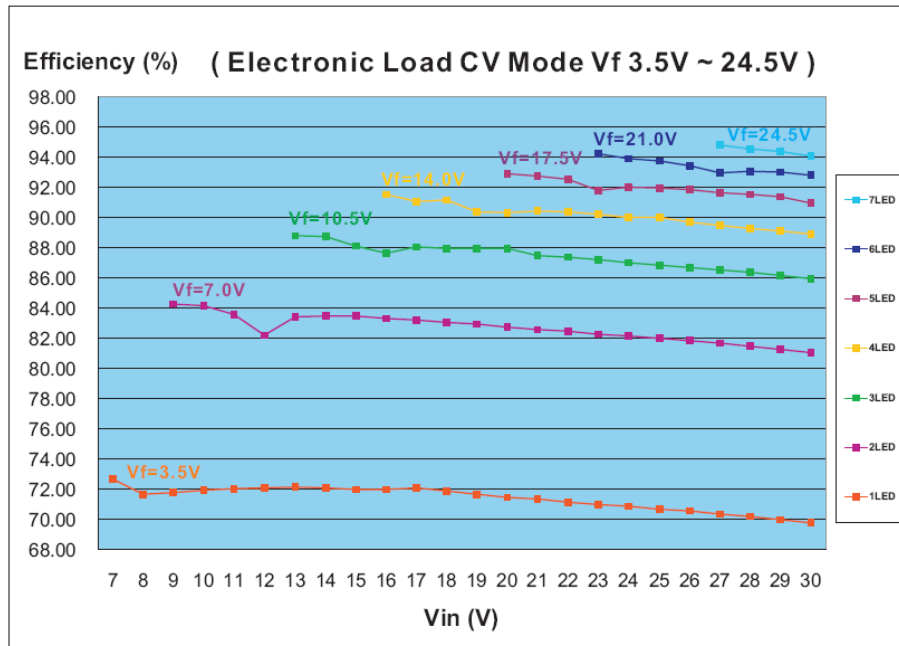
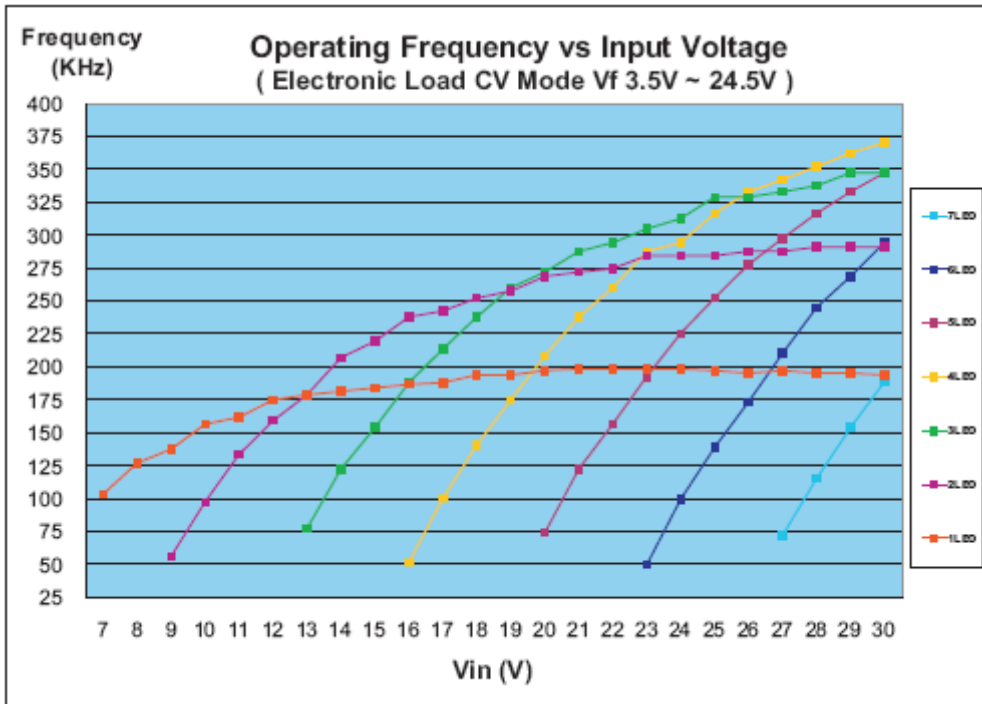


Recommended Class B EMI Filter:



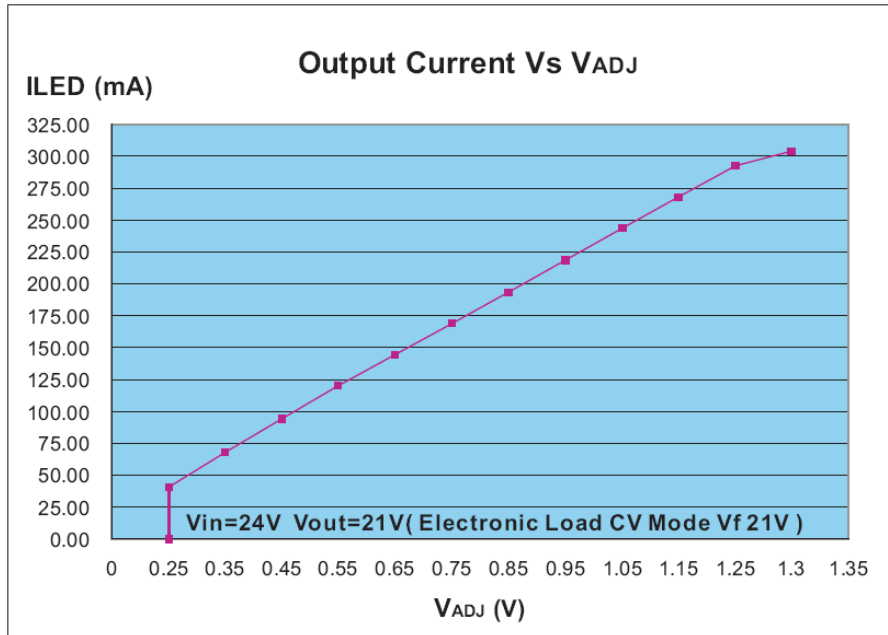
Typical Characteristics:

AMLDL-3030Z

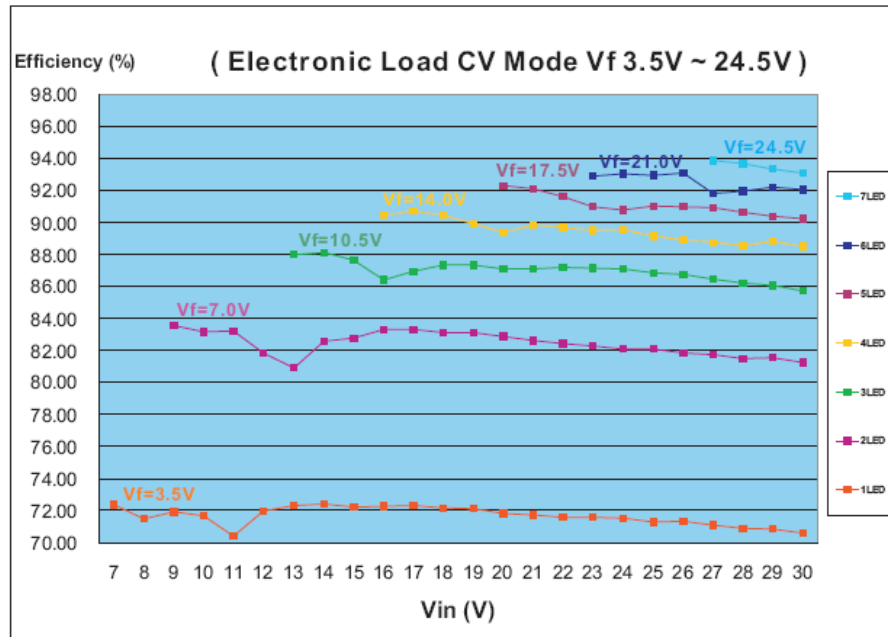


Typical Characteristics:

AMLDL-3030Z (continued)

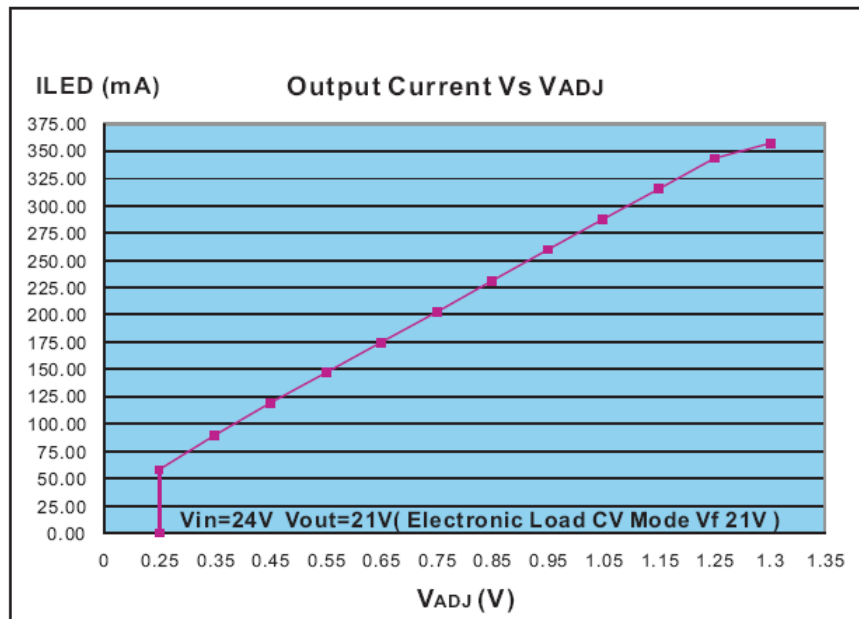
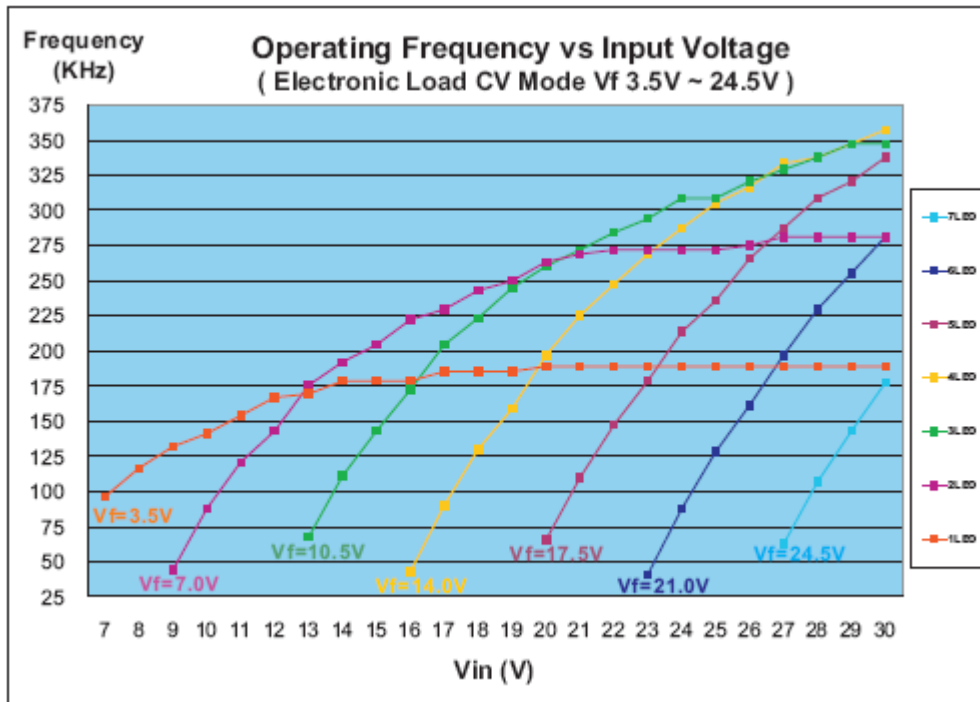


AMLDL-3035Z



Typical Characteristics:

AMLDL-3035Z (continued)



NOTE: 1. Datasheets are updated as needed and as such, specifications are subject to change without notice. Once printed or downloaded, datasheets are no longer controlled by Aimtec; refer to www.aimtec.com for the most current product specifications. 2. Product labels shown, including safety agency certifications on labels, may vary based on the date manufactured. 3. Mechanical drawings and specifications are for reference only. 4. All specifications are measured at an ambient temperature of 25°C, humidity<75%, nominal input voltage and at rated output load unless otherwise specified. 5. Aimtec may not have conducted destructive testing or chemical analysis on all internal components and chemicals at the time of publishing this document. CAS numbers and other limited information are considered proprietary and may not be available for release. 5. This product is not designed for use in critical life support systems, equipment used in hazardous environments, nuclear control systems or other such applications which necessitate specific safety and regulatory standards other the ones listed in this datasheet.